

DESCRIPTION

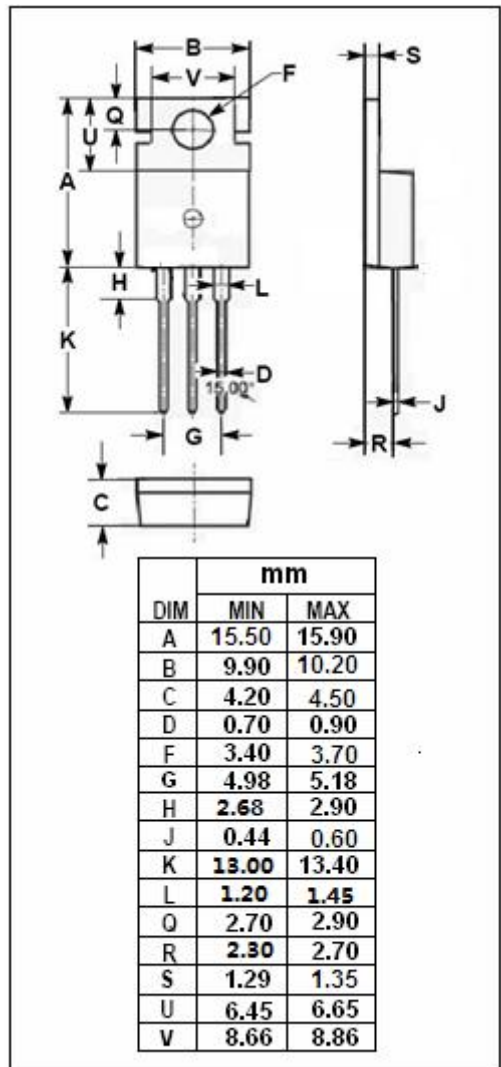
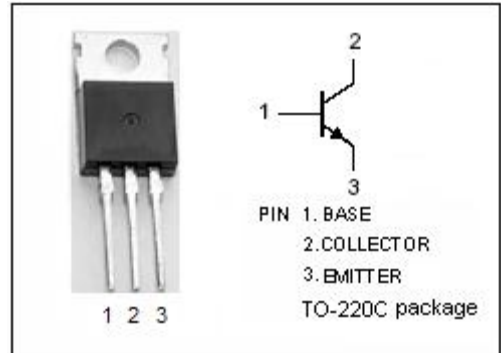
- High Collector-Emitter Breakdown Voltage
: $V_{(BR)CEO} = 400V(\text{Min.})$
- High Switching Speed
- Wide Area of Safe Operation

APPLICATIONS

- Designed for switching regulator applications

ABSOLUTE MAXIMUM RATINGS(Ta=25°C)

SYMBOL	PARAMETER	VALUE	UNIT
V_{CBO}	Collector-Base Voltage	500	V
V_{CEO}	Collector-Emitter Voltage	400	V
V_{EBO}	Emitter-Base Voltage	7	V
I_C	Collector Current-Continuous	7	A
I_{CM}	Collector Current-Peak	14	A
I_B	Base Current-Continuous	3	A
P_C	Collector Power Dissipation@ $T_C=25^\circ\text{C}$	50	W
	Collector Power Dissipation@ $T_a=25^\circ\text{C}$	1.75	
T_J	Junction Temperature	150	°C
T_{stg}	Storage Temperature Range	-55~150	°C



ELECTRICAL CHARACTERISTICS

T_c=25°C unless otherwise specified

SYMBOL	PARAMETER	CONDITIONS	MIN	TYP.	MAX	UNIT
V _{(BR)CEO}	Collector-Emitter Breakdown Voltage	I _C = 5mA ; R _{BE} = ∞	400			V
V _{(BR)CBO}	Collector-Base Breakdown Voltage	I _C = 1mA ; I _E = 0	500			V
V _{(BR)EBO}	Emitter-Base Breakdown Voltage	I _E = 1mA ; I _C = 0	7			V
V _{CE(sat)}	Collector-Emitter Saturation Voltage	I _C = 4A ; I _B = 0.8A			0.8	V
V _{BE(sat)}	Base-Emitter Saturation Voltage	I _C = 4A ; I _B = 0.8A			1.5	V
I _{CBO}	Collector Cutoff Current	V _{CB} = 400V ; I _E = 0			10	μ A
I _{EBO}	Emitter Cutoff Current	V _{EB} = 5V ; I _C =0			10	μ A
h _{FE-1}	DC Current Gain	I _C = 0.8A ; V _{CE} = 5V	15		50	
h _{FE-2}	DC Current Gain	I _C = 4A ; V _{CE} = 5V	10			
h _{FE-3}	DC Current Gain	I _C = 10mA ; V _{CE} = 5V	10			
f _T	Current-Gain—Bandwidth Product	I _C = 0.8A ; V _{CE} = 10V		20		MHz
C _{OB}	Output Capacitance	I _E = 0 ; V _{CB} = 10V ; f _{test} = 1.0MHz		80		pF

Switching times

t _{on}	Turn-on Time	I _C = 5A ; I _{B1} = 1A ; I _{B2} = -2A R _L = 40 Ω ; V _{CC} = 200V			0.5	μ s
t _{stg}	Storage Time				2.5	μ s
t _f	Fall Time				0.3	μ s

◆ **h_{FE-1} Classifications**

L	M	N
15-30	20-40	30-50